

SEM655D Wheel Loader



* Installed with Weichai Engine

✘ Featured machines in photos may include optional equipment

SEM655D

Product Advantage

- High Productivity
- Best-in-class Reliability and Durability
- Excellent Fuel Economy
- Outstanding Operator Comfort

Website <http://www.semmachinery.com>

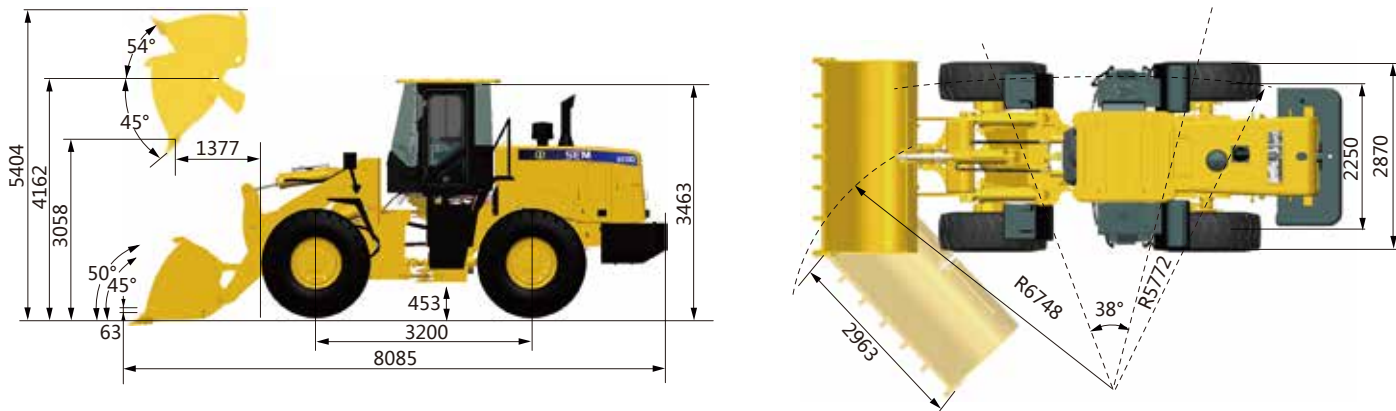


A Caterpillar Brand

Main Specifications

Items		SEM655D	Items		SEM655D
Main Specifications			Engine		
Rated Load	kg	5 000	Model		Weichai WD10G
Operating Weight with Standard Bucket	kg	16 800	Rated Power	kW	162
Bucket Capacity	m ³	2.7-4.5	Rated Speed	r/min	2 000
Wheel Base	mm	3 200	Displacement	L	9.726
Overall Dimension	mm	8 085x2 963x3 463	Implement Hydraulic		
Operating Specifications			Implement System Type		
Breakout Force	kN	168	Boom Raise Time	s	5.13
Dump Clearance	mm	3058	Hydraulic Cycle Time	s	9.5
Articulated Angle	°	38±1	System Pressure Setting	Mpa	17
Transmission			Brake System		
Transmission Type		Countershaft, power shift	Service Brake		Dry & caliper, air to oil control
Transmission Gears		F4/R4	Parking Brake		Drum type shoe brake, spring applied & oil released
Torque Converter Type		Single stage 3 elements	Steering System		
Maker & Type		SEM TR200	System Type		Flow amplifying
Forward I/ Reverse I	km/h	7.8/7.8	Steering Pump Type		Gear pump
Forward II/ Reverse II	km/h	15/15	System Pressure Setting	Mpa	16
Forward III/ Reverse III	km/h	22/22	Steering Angle (L/R)	°	38±1
Forward IV/ Reverse IV	km/h	39/39	Tires		
Axle			Size		23.5-25
Main Drive Type		Spiral bevel gear, single stage	Type		Bias
Final Drive Reduction Type		Planetary type, single stage	Layer		16
Rear - Oscillating +/-	°	±11	Textured Type		L3/E3

Machine Dimensions



► Note: the above dimensions are based on the standard configuration.

Caterpillar (Qingzhou) Ltd. Address: No.12999 Nanhuan Road,Caterpillar Industrial Park, Qingzhou City,Shandong Province, Zip Code: 262500 P.R.China

© Materials and specifications are subject to change without notice. Featured machines in photos may include optional equipment. See your SEM dealer for available options.

© 2017 Caterpillar (Qingzhou) Ltd. All Rights Reserved. SEM Machinery, SEM, their respective logos, trade dress as well as corporate and product identity used herein, are trademarks of Caterpillar (Qingzhou) Ltd. and may not be used without permission.

Version: February 2017 - Weichai

Machine Applications

- The sturdy design of the 655D makes it the perfect machine for large volume earthmoving applications
- In Hopper feeding and Coal loading applications the 655D can load more, move faster and burn less fuel
- Multiple work tools are available for increased versatility



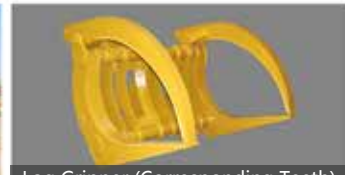
Work Tool Options



Hay Fork



Pipe Gripper



Log Gripper (Corresponding Teeth)



Marble Fork



GP Bucket



Pallet Fork



Side Dump Bucket



Log Gripper



Material Handling Arm



Log Gripper (Upper Teeth Combined)



QC Rock Bucket



Rock Bucket



Side Dump Bucket



Quick Coupler Arrangement

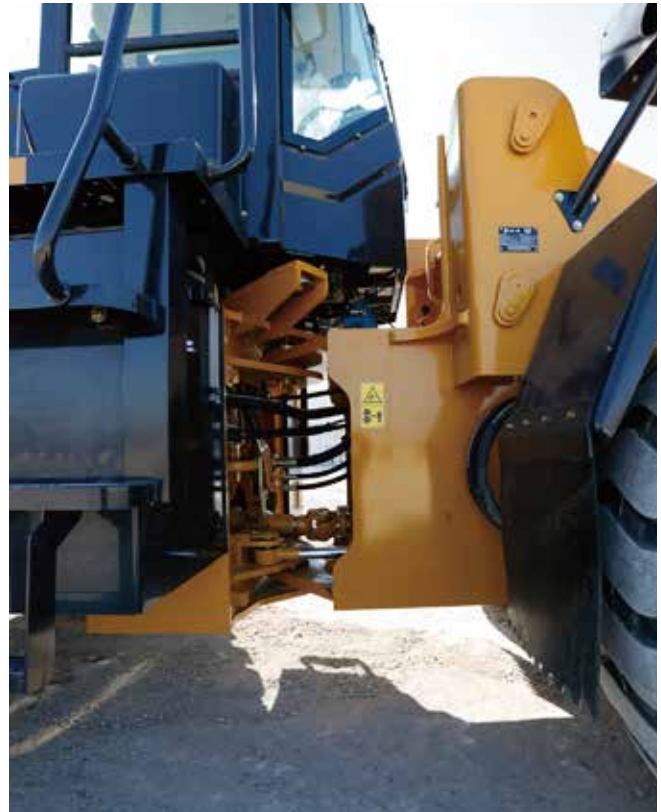
Serviceability

- System pressure test ports are standard
- Big angle engine hood side open door provides easy service access
- Torque converter is isolated from transmission making it easy to service



Safety

- Safety design complies with all regulatory requirements
- Caterpillar Production System (CPS) leveraged in manufacturing process
- 3-point touching design provides convenient operator entering to cabin
- Backup alarm ensures machine safety
- Environmentally friendly painting process



Reliable Drivetrain

- Countershaft transmission with upgraded core components provides high reliability
- Large rim-pull in 1st gear and higher speed in 2nd gear provide high efficiency for load and carry applications
- Clutch cutoff selection switch ensures stable and safe operation
- Torque convertor structure is simple and efficiency is high
- The SEM designed and built axle provides best in class performance in heavy duty applications



Advanced Cooling System

- The standard cooling package provides high reliability in 50°C ambient conditions.
- Shock pad mounts ensure reliability under severe applications



Solid Structure

- Structures undergo Finite Element Analysis (FEA) and On Machine Stress Analysis (OMSA) to ensure durability
- Performance Series (PS) buckets improve loading capability



Weichai Engine

- Low speed engine with E-fan provides increased operating efficiency
- Enhanced fuel pre-filter eliminates water and contaminant from fuel for best fuel system protection
- The air cleaner provides machine reliability even in the most severe applications



Efficient Hydraulic System

- Twin pump flow merging hydraulic system increases machine efficiency
- The optimized hydraulic system paired with the drive train reduces machine cycle time and increases productivity
- Joystick hydraulic control for easy and precise operation



Operator Station

- Premium operator station with big space and superior visibility
- Patented MAC mount provides less noise and increased comfort
- Adjustable suspension seat
- Sliding side window and AC with fresh air circulation provide operator comfort
- Single lever shifting is flexible and convenient
- Adjustable air flow outlet delivers better defrost performance

